

# Anglo-Chinese School (Junior)



## SEMESTRAL ASSESSMENT 2 (2019)

### PRIMARY 4 MATHEMATICS

#### Booklet A

Friday

25 October 2019

1 h 45 min

Name: \_\_\_\_\_ ( ) Class: 4.( )

#### INSTRUCTIONS TO PUPILS

- 1 Do not turn over the pages until you are told to do so.
- 2 Follow all instructions carefully.
- 3 There are 20 questions in this booklet.
- 4 Answer ALL questions.
- 5 Shade your answers in the Optical Answer Sheet (OAS) provided.

---

**This question paper consists of 9 printed pages (inclusive of cover page).**



## **Section A**

Questions 1 to 20 carry 2 marks each.

For each question, four options are given. One of them is the correct answer. Make your choice (1, 2, 3 or 4). Shade the correct oval (1, 2, 3 or 4) on the Optical Answer Sheet (OAS). (40 marks)

---

1. The value of the digit 5 in 35 821 is \_\_\_\_\_.

- 1) 50
- 2) 500
- 3) 5000
- 4) 50 000

2. Complete the following number pattern.

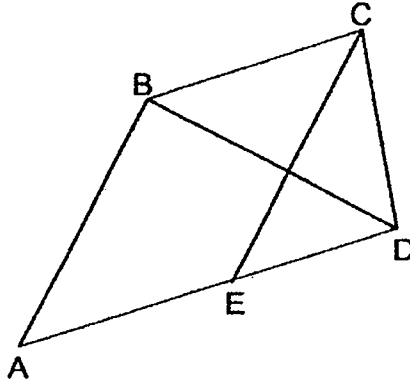
9, 13, 17, \_\_\_\_\_, \_\_\_\_\_, 29

- 1) 18, 19
- 2) 18, 28
- 3) 21, 22
- 4) 21, 25

3. Which of the following decimals is the smallest?

- 1) 6.03
- 2) 6.17
- 3) 6.051
- 4) 6.203

4. One of the lines in the figure is parallel to AD.  
Which line is parallel to AD?



- 1) BC
- 2) BD
- 3) CD
- 4) CE

5. Find the value of  $\frac{5}{12} - \frac{1}{3}$

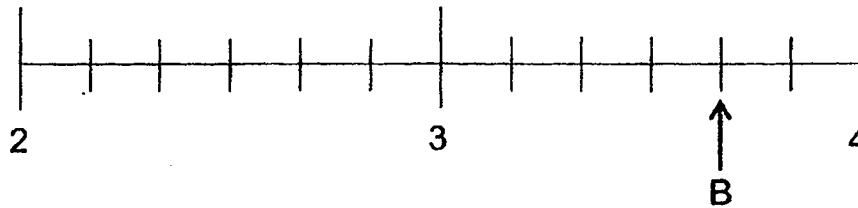
- 1)  $\frac{1}{2}$
- 2)  $\frac{1}{3}$
- 3)  $\frac{1}{6}$
- 4)  $\frac{1}{12}$

6.  $3\frac{7}{8} = \frac{\square}{8}$

What is the missing number in the box?

- 1) 17
- 2) 21
- 3) 24
- 4) 31

7. Which of the following mixed numbers is represented by the letter B in the number line shown?



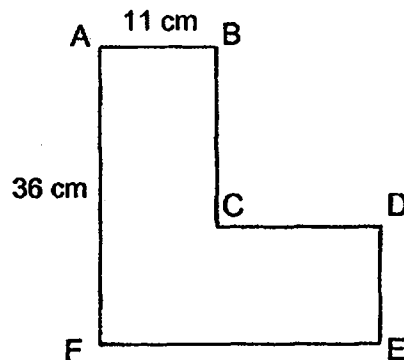
- 1)  $2\frac{10}{12}$
- 2)  $2\frac{4}{6}$
- 3)  $3\frac{2}{3}$
- 4)  $3\frac{4}{5}$

8. A bag of potatoes has a mass of 21.9 kg when its mass is corrected to 1 decimal place. Which of the following is the actual mass of the bag of potatoes?

- 1) 21.84 kg
- 2) 21.88 kg
- 3) 21.95 kg
- 4) 21.99 kg

9. The perimeter of the figure is 128 cm.  $AB = 11$  cm and  $AF = 36$  cm.

Find the length of  $EF$ .

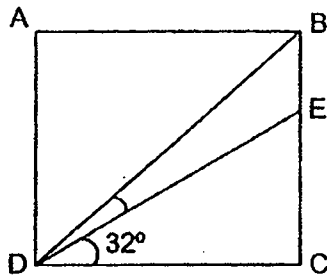


- 1) 22 cm
- 2) 28 cm
- 3) 47 cm
- 4) 56 cm

10. Jenny bought an umbrella for \$12.05 and a pair of shoes for \$94.17. How much did she pay altogether?

- 1) \$82.12
- 2) \$106.22
- 3) \$107.20
- 4) \$109.50

11. ABCD is a square.  $\angle EDC = 32^\circ$ . Find  $\angle BDE$ .



- 1)  $13^\circ$
- 2)  $16^\circ$
- 3)  $58^\circ$
- 4)  $77^\circ$

12. Alex started doing his homework at 10.35 a.m. He finished at 12.15 p.m. How long did he spend doing his homework?

- 1) 1 h 20 min
- 2) 1 h 40 min
- 3) 2 h 10 min
- 4) 2 h 50 min

The table below shows the number of 50-cent coins five pupils saved in a week. Study the table below and answer questions 13 and 14.

	Jane	Siva	Minjie	Chris	Ethan
Number of 50-cent coins	264	178	135	250	208

13. How many more coins did Ethan save than Minjie?

- 1) 73
- 2) 133
- 3) 173
- 4) 343

14. How much did Siva save?

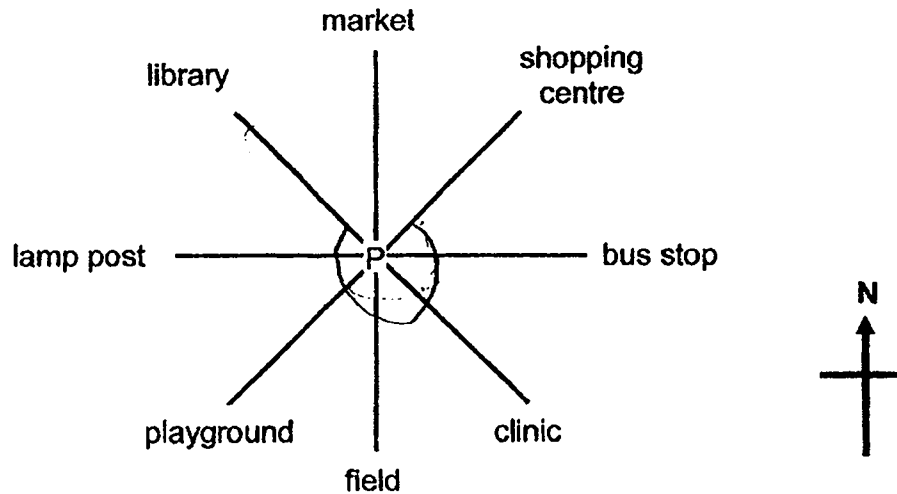
- 1) \$8.90
- 2) \$89
- 3) \$178
- 4) \$356

15. Jude bends a piece of wire 42 cm long into a rectangle. The breadth of the rectangle is 8 cm. What is the length of the rectangle?

- 1) 13 cm
- 2) 16 cm
- 3) 26 cm
- 4) 34 cm



16. Peipei is standing at P and facing the library. She makes a turn in an anti-clockwise direction and faces the shopping centre. What fraction of a complete turn does she make?



- 1)  $\frac{1}{4}$   
2)  $\frac{1}{2}$   
3)  $\frac{3}{4}$   
4)  $\frac{3}{8}$
17. The first common multiple of 3 and 8 is also a multiple of \_\_\_\_\_.
- 1) 5  
2) 6  
3) 7  
4) 9

18. The sum of two numbers is 5632. The greater number is 5624. What is the quotient when you divide the greater number by the smaller number?

- 1) 70
- 2) 73
- 3) 703
- 4) 730

19. Mrs Molly had 3 kg of sugar. She used  $\frac{2}{5}$  kg of sugar to bake some muffins and  $\frac{3}{10}$  kg of sugar to bake some cakes. How much sugar had she left?

- 1)  $\frac{7}{10}$  kg
- 2)  $2\frac{1}{2}$  kg
- 3)  $2\frac{3}{10}$  kg
- 4)  $2\frac{7}{10}$  kg

20. Mr Gan had 6778 Singapore, Thailand and Malaysia stamps. There were 3754 Singapore stamps. The rest were Thailand stamps and Malaysia stamps. There were 3 times as many Thailand stamps as Malaysia stamps. How many Malaysia stamps did Mr Gan have?

- 1) 756
- 2) 1008
- 3) 2268
- 4) 3024

**End of Booklet A**

# Anglo-Chinese School (Junior)



## SEMESTRAL ASSESSMENT 2 (2019)

### PRIMARY 4 MATHEMATICS

#### Booklet B

Friday

25 October 2019

1 h 45 min

Name: \_\_\_\_\_ ( ) Class: 4.( ) Parent's Signature: \_\_\_\_\_

#### INSTRUCTIONS TO PUPILS

- 1 Do not turn over the pages until you are told to do so.
- 2 Follow all instructions carefully.
- 3 There are 25 questions in this booklet.
- 4 Answer ALL questions.

Section	Possible Marks	Marks Obtained
A	40	
B	40	
C	20	
Total	100	

**Section B**

Questions 21 to 40 carry 2 marks each. Show your working clearly and write your answers in the boxes provided. For questions which require units, give your answers in the units stated.

(40 marks)

---

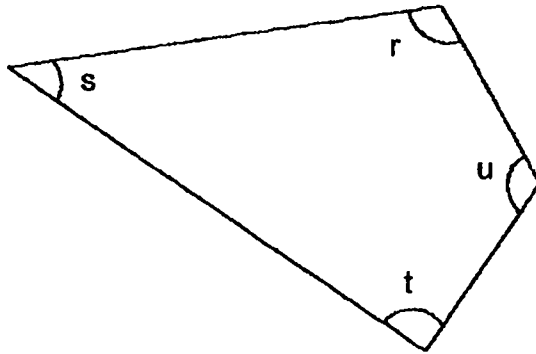
21. Write twenty thousand and six in figures.

22. Write 4 tenths as a decimal.

23. Which two of the fractions below are equivalent to  $\frac{8}{10}$  ?

$$\frac{1}{2} \quad \frac{4}{5} \quad \frac{16}{20} \quad \frac{36}{40}$$

24. In the figure, one of the angles is a right angle. Name the angle.



25. Two factors of 6 are 1 and 6. What are the other two factors of 6?

26. Round 62 581 to the nearest hundred.

27. Express 0.9 as a fraction.

28.  $7.4 - 1.56 =$  \_\_\_\_\_

29. What is the value of  $\frac{8}{9} + \frac{2}{3}$ ?

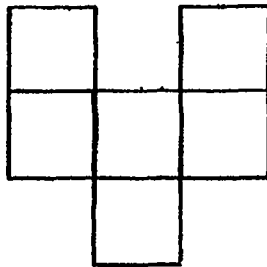
Express your answer as a mixed number.

30. Mr Chia took a flight from Singapore to Beijing at 18 50. The flight was 6 hours 15 minutes long. What time did he arrive in Beijing? Express your answer using the 24-hour clock.

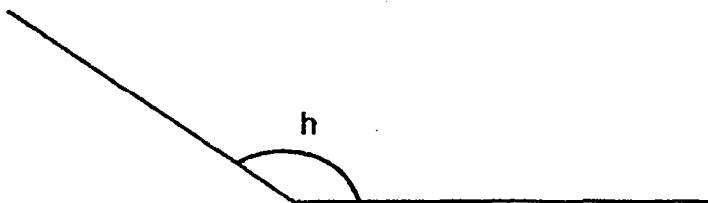
31. The table below shows the number of books 3 bookshops have. How many books does Bookshop B have?

Bookshop	Number of Books
A	248
B	?
C	185
Total Number	660

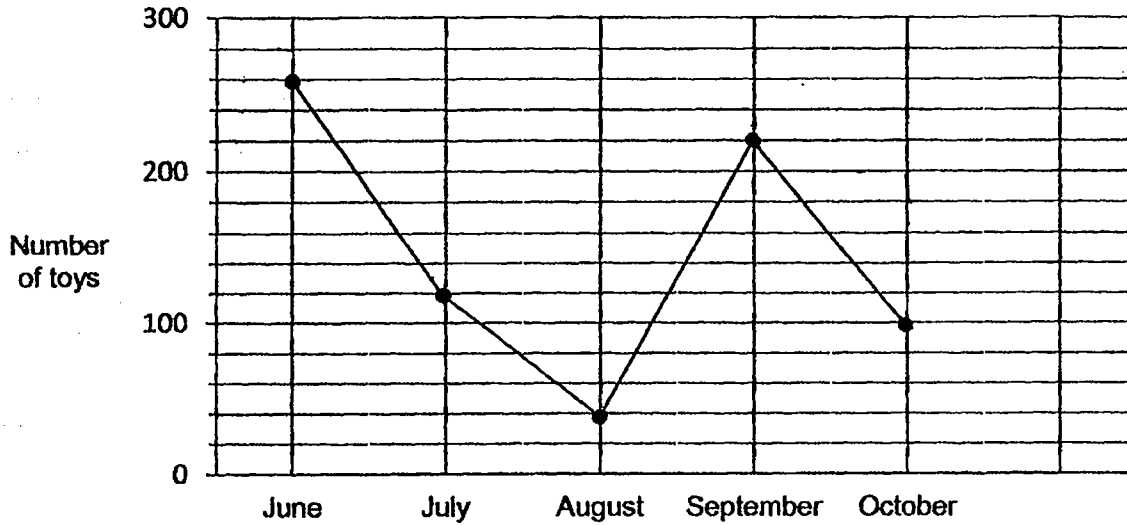
32. The figure below is made up of 6 squares. The area of each square is  $16 \text{ cm}^2$ . What is the perimeter of the figure?


 cm

33. Measure and write down the size of  $\angle h$ .


 °

The line graph below shows the number of toys sold at a shop from June to October. Study the graph carefully and answer Questions 34 and 35.



34. During which 1-month interval was the decrease in the number of toys sold the greatest?

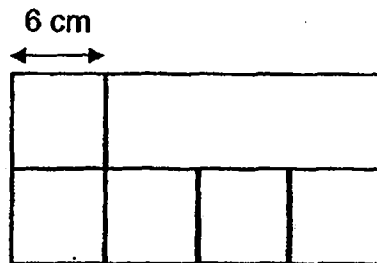
From \_\_\_\_\_ to \_\_\_\_\_

35. Each toy was sold at \$16. How much money was collected from the sale of the toys in September?

\$ \_\_\_\_\_

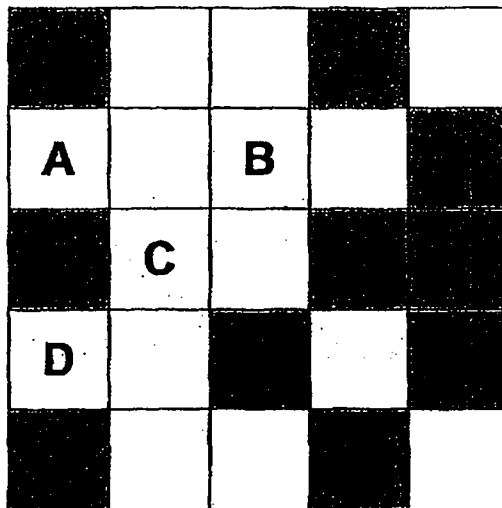


36. The figure below is made up of 5 similar squares and a rectangle. The length of one side of a square is 6 cm. What is the total area of the figure?



cm<sup>2</sup>

37. William needs to shade one more square so that the figure has a line of symmetry. Which square, A, B, C or D must he shade?



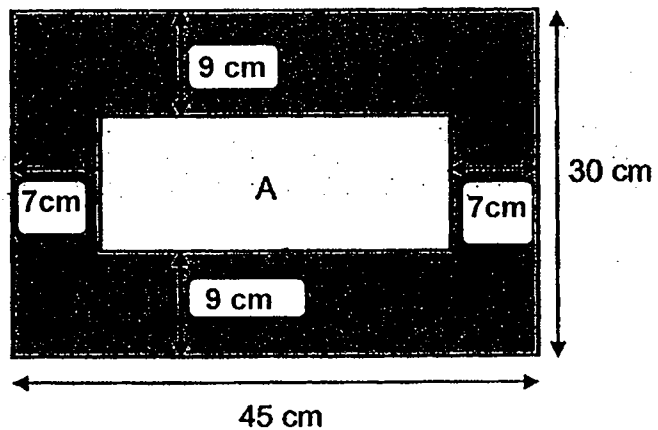
[ ]

[ ]

38. Mr Teh had 786 more sweets than Mr Wen. Mr Wen then sold half of his sweets and had 265 sweets left. How many sweets did Mr Teh have?

39. Amelia had 9 blue sharpeners and 7 pink sharpeners at first. Her teacher gave her another 5 pink sharpeners. What fraction of her sharpeners were pink in the end? Give your answer in its simplest form.

40. Rectangle A is cut out from a rectangular piece of cloth measuring 45 cm by 30 cm. Find the area of Rectangle A.



**Section C**

For questions 41 to 45, show your working clearly and write your answers in the spaces provided. The number of marks available is shown in brackets [ ] at the end of each question or part-question.

(20 marks)

---

41. Meg has 3 times as much money as Nancy. Nancy has twice as much money as Pam. Pam has \$40.25 less than Meg .

- (a) How much money does Pam have?
- (b) How much money do the 3 girls have altogether?

Ans: (a) \_\_\_\_\_ [2]

(b) \_\_\_\_\_ [2]

--

42. A box and 5 packets of rice has a mass of 103.7 kg. The mass of the box is 14.8 kg less than the mass of one packet of rice.

(a) What is the mass of one packet of rice?

(b) What is the mass of the box?

Ans: (a) \_\_\_\_\_ [3]

(b) \_\_\_\_\_ [1]

--

43. A shopkeeper had a total of 1028 apples and oranges. He sold  $\frac{1}{3}$  of his apples and 73 oranges. He then had an equal number of apples and oranges left.

(a) What fraction of apples had he left?

(b) How many apples did he sell?

Ans: (a) \_\_\_\_\_ [1]

(b) \_\_\_\_\_ [3]

44. Dave and Kumar had an equal number of marbles at first. Both of them gave away some marbles. Dave gave away 4 times as many marbles as Kumar. In the end, Dave had 61 marbles while Kumar had 187 marbles. How many marbles did Dave have at first?

Ans: \_\_\_\_\_ [4]

45. The cost of 1 shirt and 2 t-shirts is \$82. The cost of 4 such shirts, 8 such t-shirts and 6 similar dresses is \$796. What is the cost of 1 dress?

Ans: \_\_\_\_\_ [4]

**End of Booklet B**

[SgTestPaper.com](#) | [P6](#) | [P5](#) | [P4](#) | [P3](#) | [P2](#) | [P1](#) |  
[ENGLISH](#) | [MATHS](#) | [SCIENCE](#) | [CHINESE](#) |  
[TAMIL](#) | [2019](#) | [2018](#) | [2017](#) | [2016](#) |  
[PAST WORKSHEETS](#) | [SG MATH](#) |  
[ENGLISH COMPOSITION](#) |  
[ASSESSMENT BOOKS](#) |



## Free Downloads

### SgTest Papers

- [Primary 6](#)
- [Primary 5](#)
- [Primary 4](#)
- [Primary 3](#)
- [Primary 2](#)
- [Primary 1](#)

### Top School Test Papers

- [Nanyang](#)
- [Raffles](#)
- [Rosyth](#)
- [Tao Nan](#)
- [CHIJ St Nicholas](#)
- [Red Swastika](#)

### Free Weekly Worksheet Subscription

[Model English Composition samples for Primary School](#)

[2018 & Earlier Worksheets](#)

[One-Click Download of All 2019 P6 papers](#)  
[One-Click Download of All 2019 P5 papers](#)  
[One-Click Download of All 2019 P4 papers](#)

Click on the links to go to the pages



SCHOOL : ACS (J) PRIMARY SCHOOL

LEVEL : PRIMARY 4

SUBJECT : MATH

TERM : 2019 SA2

---

**BOOKLET A**

Q 1	Q2	Q3	Q4	Q5	Q6	Q7	Q8	Q9	Q10
3	4	1	1	4	4	3	2	2	2
Q 11	Q12	Q13	Q14	Q15	Q 16	Q17	Q18	Q19	Q20
1	2	1	2	1	3	2	3	3	1

**BOOKLET B**

Q21)	20006
Q22)	0.4
Q23)	$\frac{4}{5}$ and $\frac{16}{20}$
Q24)	$\angle t$
Q25)	2 and 3
Q26)	62600
Q27)	$\frac{9}{10}$
Q28)	5.84
Q29)	$1\frac{5}{9}$
Q30)	01 05
Q31)	227
Q32)	$14 \times 4 = 56\text{cm}$
Q33)	$147^\circ$
Q34)	June to July
Q35)	\$3520

Q36)	$24 \times 12 = 288\text{cm}^2$
Q37)	B
Q38)	1316
Q39)	$\frac{12}{21} = \frac{4}{7}$
Q40)	$372\text{cm}^2$
Q41)	a) $40.25 \div 5 = \$8.05$ b) $8.05 \times 9 = \$72.45$
Q42)	a) $103.7 + 14.8 = 118.5$ $118.5 \div 6 = 19.75\text{kg}$ b) $19.75 - 14.8 = 4.95\text{kg}$
Q43)	a) $1 - \frac{1}{3} = \frac{2}{3}$ b) $1028 - 73 = 955 \div 5 = 191$
Q44)	$187 - 61 = 126$ $126 \div 3 = 42$ $42 \times 4 = 168$ $168 + 61 = 229$
Q45)	$82 \times 4 = 328$ $796 - 328 = 468$ $468 \div 6 = \$78$